

Track System Specification

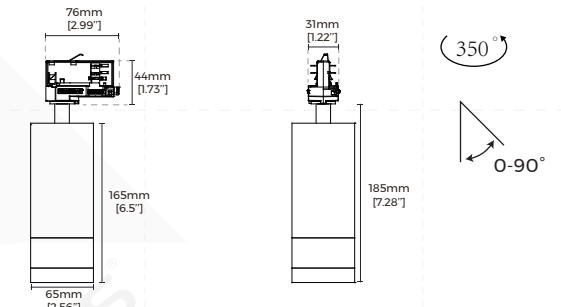
# HSZ-65

— TLS-H series

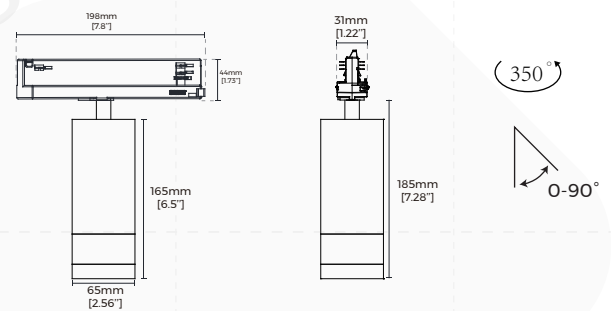


## 【Basic Parameters】

- Material: AL6063-T5, spraying surface
- Coating: Black (RAL9005)、White(RAL9003)
- IP grade: IP20
- Beam angle: 15°-50° adjustable
- CCT: 2700/3000/4000K optional
- CRI: 90
- SDCM(Light source): <3 Step (ANSI)
- Input voltage: AC220-240V
- Working temperature: -15℃ -35℃
- Lighting direction: Downward
- Dimming method: Non-dimming/DALI dimming optional
- Application: Indoor
- Certification: CE、ROHS、Reach
- Warranty: 5 years



Non-dimming version  
(Suitable for four-wire three-circuit guide rail)



DALI dimming version  
(Suitable for six-wire three-circuit guide rail)

## 【Luminaire Parameters】

Version	Model	Size	Input Voltage (V)	Max. Current (A)	Type Power (W)	Max. Power (W)	CRI	Beam Angle	CCT	Lumen (LM)
Normal	HSZ-65	φ65*165mm	220-240 VAC	/	25	27	>90	15°	2700K	770
									3000K	810
									4000K	875
								50°	2700K	1325
									3000K	1395
									4000K	1500

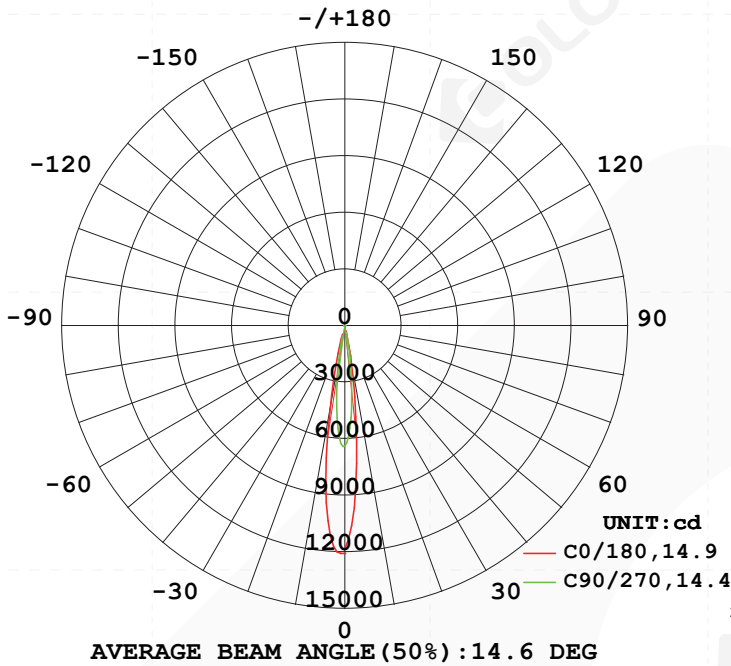
Note:

1. The output data is based on the testing result of Ra90,4000k luminaires;
2. The tolerance of output data can be vary up to 10%;
3. The output data is typical value.

# [Optical Parameter]

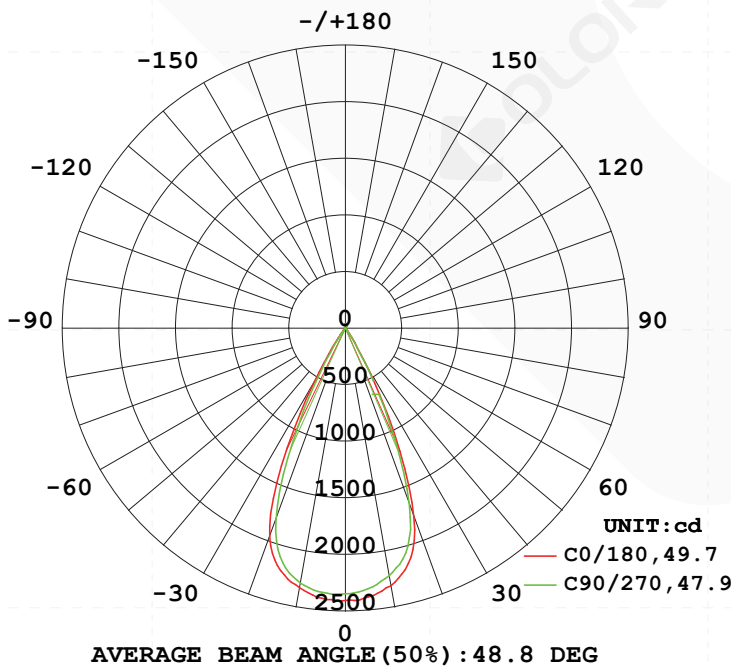
· Normal

· 15°



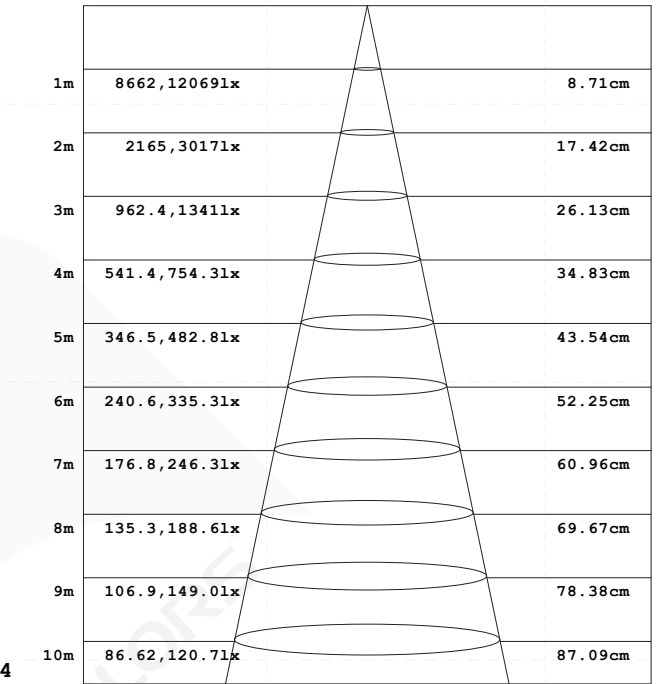
Luminous intensity distribution diagram

· 50°



Luminous intensity distribution diagram

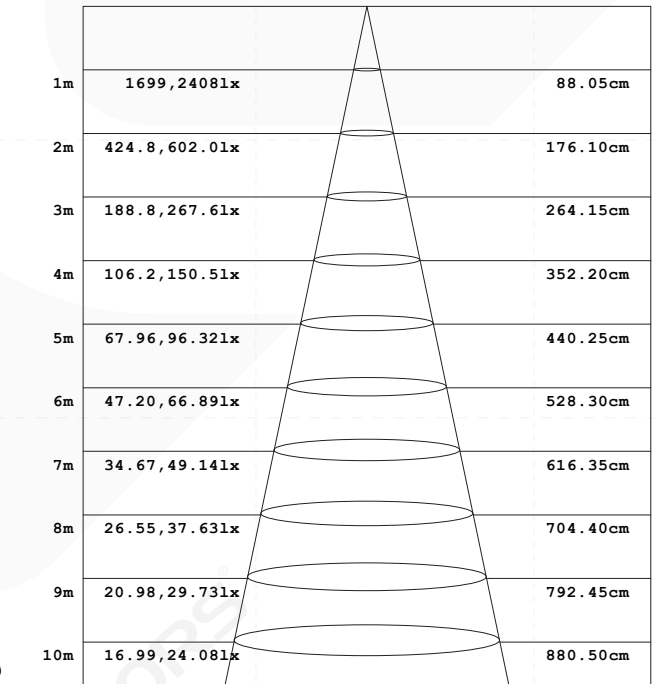
Flux out: 74.74 lm



Note: The Curves indicate the illuminated area and the average illumination when the luminaire is at different distance.

AAI Figure

Flux out: 1058 lm



Note: The Curves indicate the illuminated area and the average illumination when the luminaire is at different distance.

AAI Figure

## **【Packing】**

<b>Model</b>	<b>Size (mm/box)</b>	<b>Quantity /box</b>	<b>Quantity /carton</b>	<b>NW (kg/box)</b>	<b>NW (kg/carton)</b>	<b>GW (kg/carton)</b>	<b>Size (mm/carton)</b>
TLS-HSZ65-N930B25	120*70*260 [4.72"*2.76"*10.24"]	1	10	0.82	6.5	7.8	480*360*335 [18.9"*14.2"*13.2"]

## **【Attentions】**

- 1、 Non-professionals are prohibited from installing, disassembling and repairing the product.
- 2、 Avoid scratching, distortion and irregular bending of the product during installation; otherwise it may cause irreparable damage to the product.
- 3、 Please use professional cutting tools when cutting
- 4、 Do not use any acid or alkaline adhesive to fix products
- 5、 The product is only suitable for indoor dry places, can not be used in outdoor, seaside or wet environment.